



KoldLok® Surface Mount Grommets

Part Numbers

Original - 2020

Large - 2030

XLarge - 2040



Original - Part No. 2020



Large - Part No. 2030



XLarge - Part No. 2040

Applications

Designed to seal a variety of existing raised floor tile cutouts and allow flexibility of removing tiles without capturing cables. Item Nos. 2030 and 2040 allow for larger sealing capacities. Based on measurements at multiple data centers, on average 60% of valuable conditioned air is not reaching the air intake of IT equipment due to unsealed floor openings. This lost air, known as bypass airflow, contributes to IT equipment hot spots, cooling unit inefficiencies, and increasing infrastructure costs. KoldLok products specifically address bypass airflow and its detrimental effects on data center cooling.

Features

- The Surface Mount Grommets facilitate re-cabling and allows tile to be moved without capturing cables
- The Grommets contain no loose or partially fastened parts, which can become separated or fall through the raised floor
- The Grommets are impact resistant and durable
- KoldLok products are compliant with Directive 2002/95/EC of the European Parliament and the Council on the Restriction of the Use of Certain Hazardous Substances in Electrical and Electronic Equipment (RoHS)

Benefits

- Increases existing cooling unit capacity
- Reduces the need to purchase additional cooling units
- Improves equipment reliability and extends equipment life
- Increases static pressure under the raised floor and improves cool air delivery through perforated tiles and floor grates
- Facilitates Cold Aisle/Hot Aisle best practices

Sealing Effectiveness

- Effective bypass-airflow sealing in areas undisturbed by cable penetrations at static pressures up to 0.10 inches of water column
- Effective bypass-airflow sealing with four, half-inch cables penetrating the Grommet at a static pressure of 0.10 inches of water column

Specifications

Dimensions and Tile Cutting Requirements	Inches (W x D x H)	Millimeters (W x D x H)
Part No. 2020 Original - Overall size	11" x 8 1/4" x 1 1/8"	279 x 210 x 29mm
Product height above the raised floor	1 1/4" with mounting system installed	32mm
Maximum cutout size sealed	10" x 7 1/4"	254 x 184mm
Usable cable are	8 1/4" x 4"	6194 sq. mm
Part No. 2030 Large - Overall size	12" x 11 3/4" x 1 5/16"	305 x 298 x 33mm
Product height above the raised floor	1 7/16" with mounting system installed	37mm
Maximum cutout size sealed	10" x 9 3/4"	254 x 248mm
Usable cable are	8 1/4" x 4"	210 x 102 sq. mm
Part No. 2040 Extra Large - Overall size	12" x 15" x 1 5/16"	305 x 381 x 33mm
Product height above the raised floor	1 7/16" with mounting system installed	37mm
Maximum cutout size sealed	10" x 13"	254 x 330mm
Usable cable are	8 1/4" x 4"	210 x 102 sq. mm

Patented Sealing System

(U.S. Patent No. RE41863 and International Patents Pending) Multi-layer, opposing and interwoven filaments consisting of:

- 0.010 inch diameter upper filaments
- 0.020 inch diameter lower filaments
- Approximately 25,000 filaments per Grommet
- Ensure passage of 100 amp power connectors

Floor Mounting System

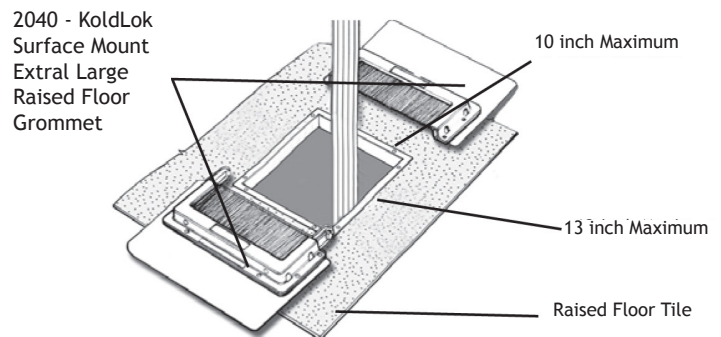
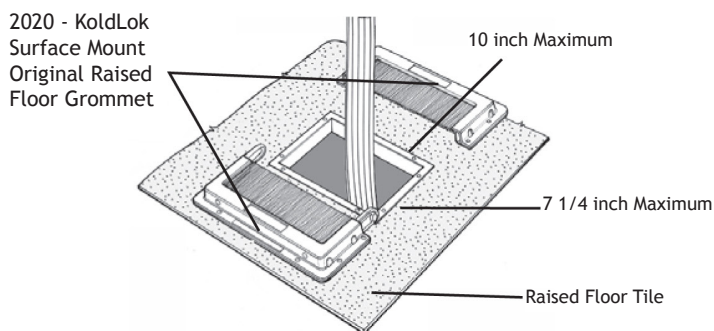
Custom adhesive mounting kit consisting of:

- Single-sided, pressure sensitive foam with adhesive backing
- Double-sided, pressure sensitive foam with adhesive backing
- All foam components are non-particulating

Grommet Frame

The frame is molded from durable polypropylene. The frame consists of two, interlocking halves.

Finish: Black



upsite
technologies®

Designer & Manufacturer
(888) 982-7800 www.upsite.com

MEXDCM
DATA CENTER SOLUTIONS

MEX TEKNOLOJİ ÇÖZÜMLERİ

+90 216 577 66 39

+90 216 577 66 39

info@mexdcm.com

Finanskent Mah. Finans Cad.
Sarphan Finans Merkezi
No:5 C İç Kapı No:122
Ümraniye / İstanbul

www.mexdcm.com